

Cherry Lee Close,

Westleton, IP17 3FH

**A two bedroom house for sale
on a shared ownership basis**





- ◆ Fully fitted kitchen
- ◆ Allocated parking
- ◆ Private garden
- ◆ Double glazing
- ◆ Downstairs WC
- ◆ Can staircase up to 100%

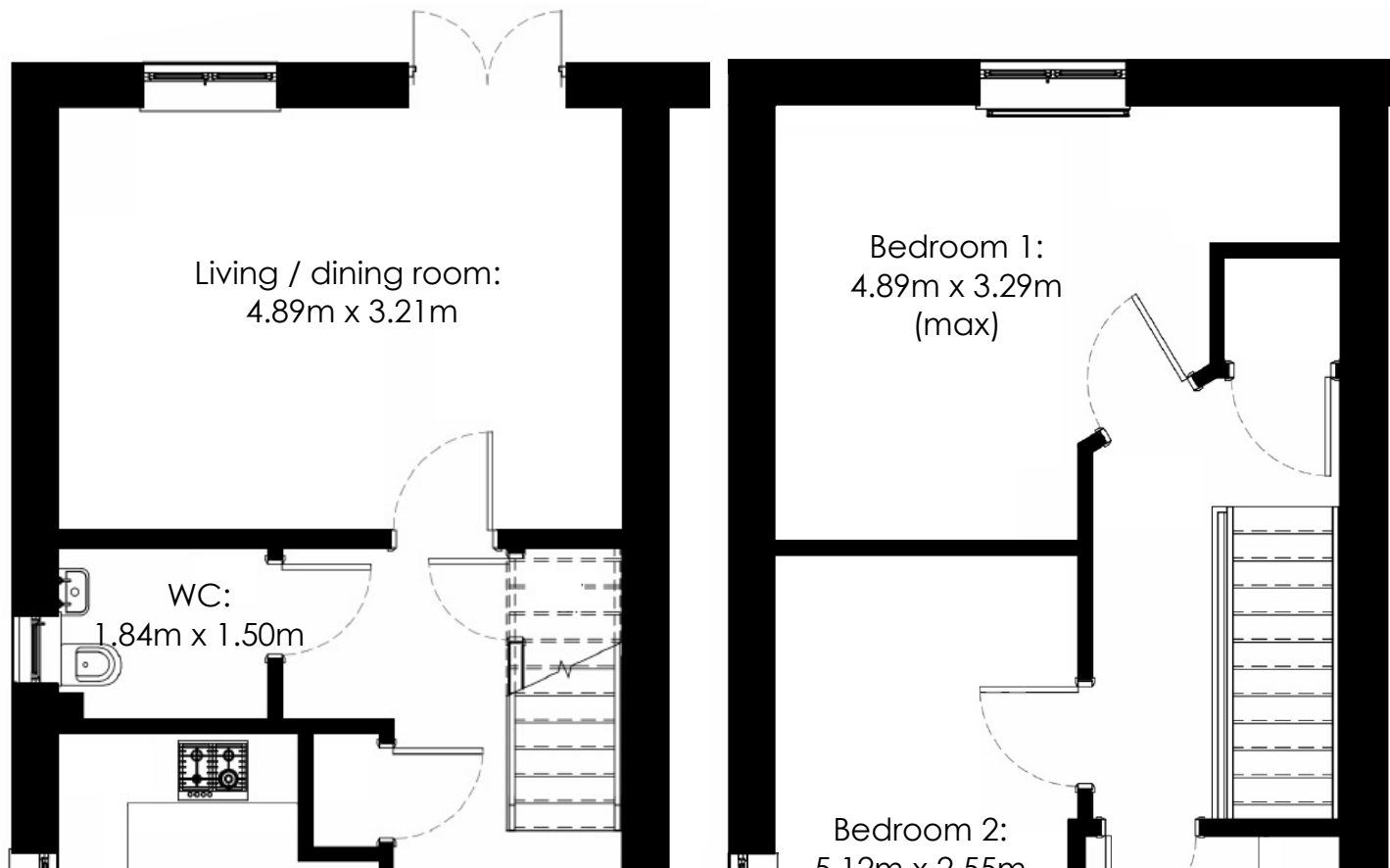
Available to reserve now

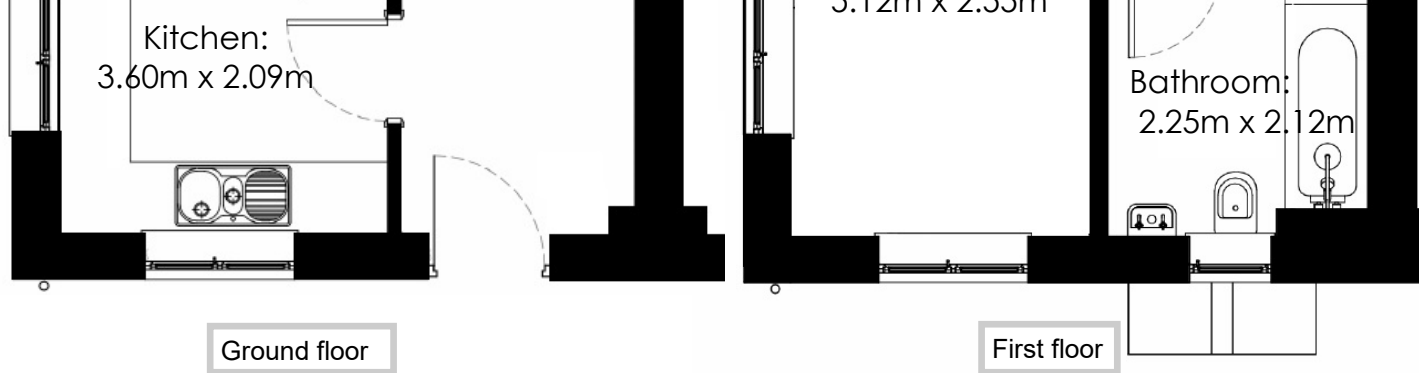
**Prices from
£70,000***

Hastoe
●●●● Group

*This represents a 20% share of the house with the full market value (£350,000), please see the affordability schedule for full detail of costs. Please note all costs in this leaflet are intended as a guide and may differ from the actual cost at the time of sale.

Plot 5 — two bedroom house





Full market price:
£350,000

Minimum share:
20%

Share value:
£70,000

Monthly rent:
£641.67

**Estimated
service charge:**
£60.00

Predicted Energy Efficiency Rating:
B86

Environmental Impact Rating:
A97

**These measurements are indicative
and approximate only.**

**Due to be
completed
Summer 2025**



This home is an ideal opportunity for a first time buyer to get onto the

property ladder with Hastoe. It is being sold under a shared ownership scheme whereby you purchase a share in the property and pay a reduced rent on the remaining Hastoe equity.

Purchase Requirements:

- You must be eligible for the shared ownership scheme.
- Can demonstrate you meet the minimum income requirements.
- Have a local connection to the area
- Can demonstrate a deposit sufficient to obtain a mortgage for the property.

www.hastoesales.com

sales@hastoe.com

0800 783 3097

These particulars have been produced in good faith. They are a general guide only and do not constitute any part of an offer or contract. Property elevations and specification may vary from plot to plot; individual features such as windows, doors, heating and electrical may have changed from the details shown. Measurements provided are for guidance only and should not be used to select furnishing of fixtures. These particulars should be treated as a general guide only and cannot be relied upon as accurately describing any of the specified matters. Prices featured are correct at the time of going to print.